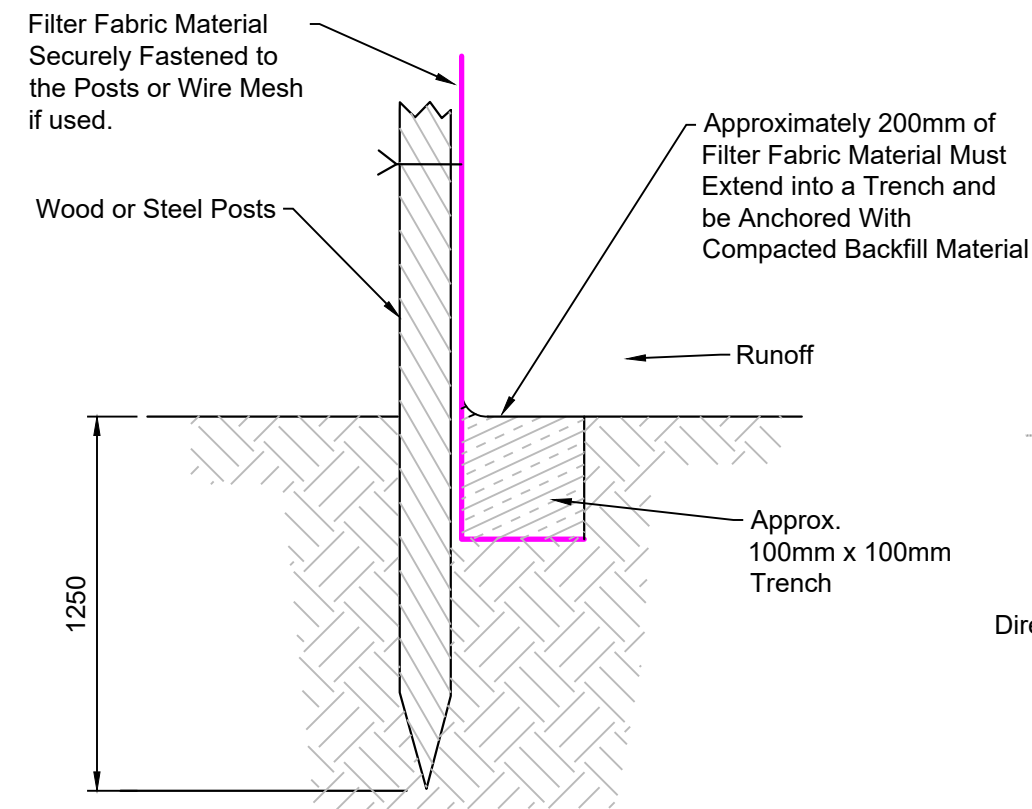
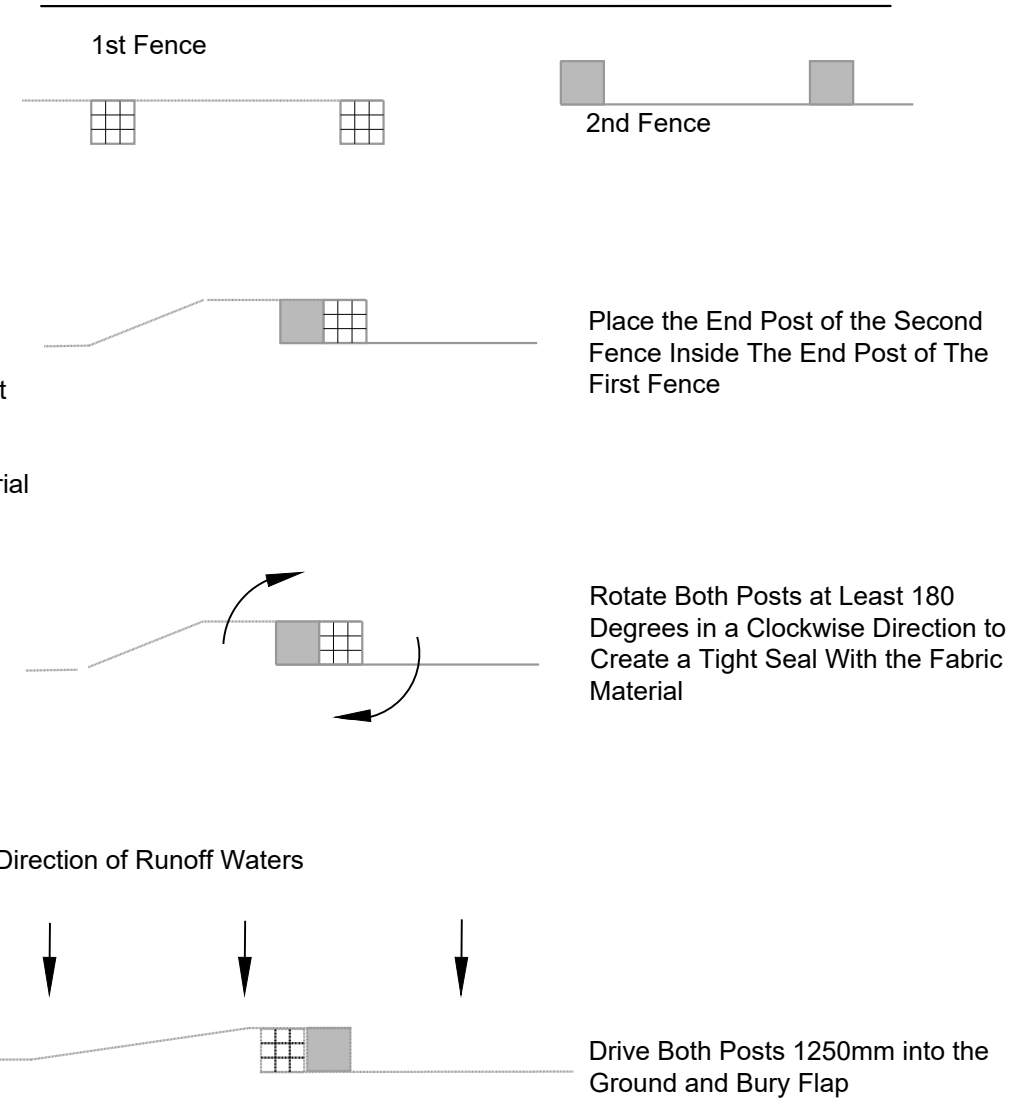


Attaching Two Silt Fences



If Applicable : Ordnance Survey Ireland Licence No. EN 0001220 © Ordnance Survey Ireland and Government of Ireland



No part of this document may be reproduced or transmitted in any form or stored in any retrieval system of any nature without the written permission of Fehily Timoney & Company as copyright holder except as agreed for use on the project for which the document was originally issued. Do not scale. Use figured dimensions only. If in doubt - Ask!

Rev.	Description	App By	Date
A	ISSUE FOR PLANNING APPLICATION	JH	22.10.20

PROJECT	COOM GREEN ENERGY PARK			CLIENT	CROOM GREEN ENERGY PARK LIMITED		
SHEET	SILT FENCE DETAILS			Date	22.10.20	Project number	P20-099
				Scale (@ A3-)	1:25		Rev
				Drawn by	SOC	Drawing Number	P20-099-0501-0001
				Checked by	KD		A

O:\ACAD\2020\P20-099\P20-099-0501-0001

08 December 2020